



PowerVision – high-performance floodlighting

PowerVision

PowerVision is a high-performance general-purpose floodlight for sports lighting, general area lighting and facade illumination. This compact luminaire distributes a low-glare, wide, medium or narrow beam evenly, accurately and efficiently. With the MHN-LA 2000W/842 lamp, the natural color rendering ($Ra = 80$) and comfortable atmosphere ($Tc = 4200$ K) are well suited to TV and filming. With the MHN-LA 2000W/956 lamp, the highest international CTV requirements ($Ra = 90$, $Tc = 5600$ K) are met. A built-in skirt in the reflector assembly minimizes spill light and glare. Intergrated system of optics, gear and lamp in a single housing, ensuring high beam efficiency and a well-controlled beam. Built-in skirt in reflector assembly minimizes spill light and glare. The luminaire's rugged all-weather construction is designed for easy aiming, simple cleaning and speedy servicing.

Benefícios

- High-performance, general-purpose floodlight for sports lighting, general area lighting and facade illumination
- Compact luminaire distributes a low-glare, wide, medium or narrow beam evenly, accurately and efficiently, with minimal spill light and glare
- Available MHN lamps offer natural color rendering and comfortable atmosphere well suited to TV and filming, or even meeting the highest international CTV requirements

Características

- Rugged, compact all-weather construction
- Integrated system of optics, gear and lamp in a single housing
- Low-glare wide, medium or narrow beam

Aplicação

- Sports
- Car parks
- Architectural floodlighting

- Color rendering: Ra = 80; color temperature: 4200 K
- Easy aiming

- Industrial areas

Especificações

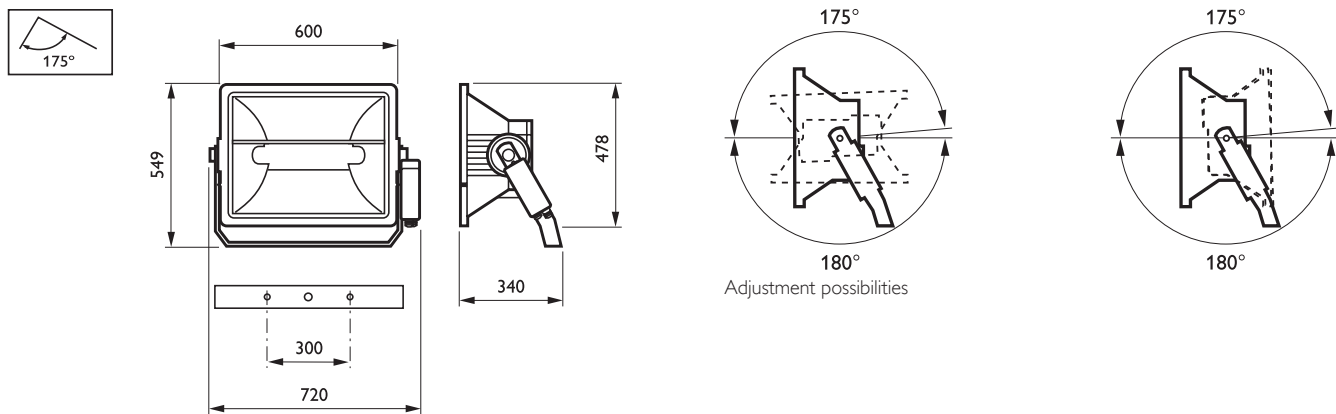
<ul style="list-style-type: none"> • Type 	MVF024	<ul style="list-style-type: none"> • Installation 	On mast headframe, ceiling, wall and floor mounting For pre-aiming, protractor scale and simple aiming device integrated Ambient temperature outdoor: 35°C (40°C indoor for 1000 W lamp versions with external connection box) Drag factor (Cx): 1.08 Projected area in 65° position: 0.30 m ² Max adjustment from the horizontal: -90 / +90° 360° adjustment of mounting bracket
<ul style="list-style-type: none"> • Light source 	HID: - 1 x MASTER MHN-FC / XW / 1000, 2000 W - 1 x MASTER MHN-LA / XWH / 2000 W - 1 x MASTER HPI-T Plus / E40 / 1000 W - 1 x SON-T / E40 / 1000 W	<ul style="list-style-type: none"> • Maintenance 	Lamp access by opening clips of rear cover (tool-less) Safety switch to cut off current while opening the luminaire with 2000 lamp versions (requires additional contactor - supplied by others) No internal cleaning required
<ul style="list-style-type: none"> • Lamp included 	Yes (K or light color 740, 842 or 956)	<ul style="list-style-type: none"> • Accessories 	External louver (ZVF024)
<ul style="list-style-type: none"> • Optic 	Narrow beam (NB) Medium beam (MB) Wide beam (WB)	<ul style="list-style-type: none"> • Remarks 	Equipped with aluminum connection box with ignitor, installed on a separate gear tray (ZVF320) Wire mesh to prevent large glass falling out (2000 lamp versions) in event of glass breakage Pre-wired 220 - 240 V / 50 Hz or 380 - 415 V / 50 Hz are available, to be ordered separately
<ul style="list-style-type: none"> • Ignitor 	Series (SI), integral Semi-parallel (SP), external on a separate gear tray (ZVF320) Parallel (PA), external on a separate gear tray (ZVF320)	<ul style="list-style-type: none"> • Main applications 	Sports, car parks, architectural floodlighting, industrial areas
<ul style="list-style-type: none"> • Options 	Connection box (H) with 1000 W lamp versions for higher ambient temperatures of indoor applications		
<ul style="list-style-type: none"> • Materials and finishing 	Housing and rear cover: non-corrosive, high-pressure die-cast aluminum Glass: chemically toughened, 1.6 mm thick (for 2000 lamp versions), thermally hardened 3 mm thick (for 1000 W lamp versions) Mounting bracket: hot-dipped galvanized steel Reflector: anodised and brightened 99.99% aluminum Stainless steel clips Finishing in raw aluminum		

Produtos relacionados



PowerVision MVF024 sports and area flood-lighting luminaire

Desenho dimensional



MVF024

General information

Código de Encomenda	Código da família de produto	Número de lâmpadas	Código da família da lâmpada	Potência da lâmpada	Código de cor da lâmpada	Cor	Óptica	Equipamento	European Community mark	ENEC mark
027098 00	MVF024	1	SON-T	1000	No	No	NB	-	CE	ENEC
027166 00	MVF024	1	SON-T	1000	No	No	MB	-	CE	ENEC
027234 00	MVF024	1	SON-T	1000	No	No	WB	-	CE	ENEC
027302 00	MVF024	1	MHN-TD	2000	No	No	NB	-	CE	ENEC
027371 00	MVF024	1	MHN-TD	2000	No	No	MB	-	CE	ENEC
027449 00	MVF024	1	MHN-TD	2000	No	No	WB	-	CE	ENEC
547763 00	MVF024	1	SON-T	1000	No	No	NB	-	CE	ENEC
547770 00	MVF024	1	HPI-T	1000	No	No	NB	-	CE	ENEC
547787 00	MVF024	1	SON-T	1000	No	No	MB	-	CE	ENEC
547794 00	MVF024	1	HPI-T	1000	No	No	MB	-	CE	ENEC
547800 00	MVF024	1	SON-T	1000	No	No	WB	-	CE	ENEC
547817 00	MVF024	1	HPI-T	1000	No	No	WB	-	CE	ENEC
547824 00	MVF024	1	MHN-LA	2000	842	No	NB	-	CE	ENEC
547831 00	MVF024	1	MHN-LA	2000	842	No	MB	-	CE	ENEC
547848 00	MVF024	1	MHN-LA	2000	842	No	WB	-	CE	ENEC
291377 00	MVF024	1	MHN-FC	2000	740	No	NB	-	CE	ENEC
291384 00	MVF024	1	MHN-FC	2000	740	No	MB	-	CE	ENEC
291391 00	MVF024	1	MHN-FC	2000	740	No	WB	-	CE	ENEC
291407 00	MVF024	1	MHN-FC	1000	740	No	NB	CONV	CE	ENEC
291414 00	MVF024	1	MHN-FC	1000	740	No	MB	CONV	CE	ENEC
291421 00	MVF024	1	MHN-FC	1000	740	No	WB	CONV	CE	ENEC

Acessórios

**ZVF024 L**

External anti-glare louver (ZVF024 L)

Acessórios

Código de Encomenda	Código da família de produto	Descrição
265759 00	ZVF024 L	Grelha



© 2011 Koninklijke Philips Electronics N.V.
Todos os direitos reservados

As especificações estão sujeitas a alterações sem aviso prévio. As marcas comerciais são propriedade de Koninklijke Philips Electronics NV ou de seus respectivos proprietários.

www.philips.com/lighting

2011, Setembro 21
Dados sujeitos a alteração